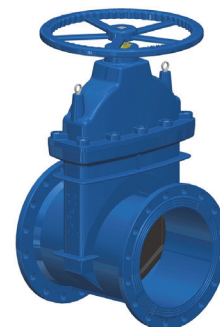




PN 10 - Art. A022 TIS1

PN 16 - Art. A023 TIS1

SARACINESCA A CUNEO GOMMATO - CORPO OVALE PN10-PN16
SOFT SEATED GATE VALVE - LONG BODY PN10-PN16

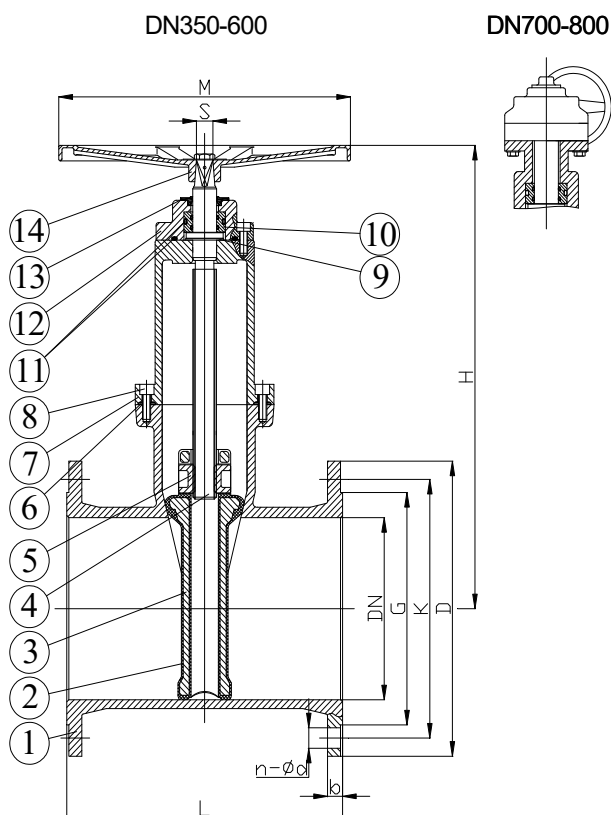


APPLICAZIONE:

Fornitura e distribuzione acqua potabile, trattamento acque reflue e sistemi fognari, settori industriali.

APPLICATION:

Drinkable water supply and distribution, waste water treatment and sewerage.



DN	PN	G	K	D	L	H	n-ød	b	M	S	W(kg)
350	10	429	460	505	550	845	16-23	24.5	500	27	209
350	16	429	470	520	550	845	16-28	26.5	500	27	220
400	10	480	515	565	600	975	16-28	24.5	640	32	299
400	16	480	525	580	600	975	16-31	28	640	32	310
450	10	530	565	615	650	1080	20-28	25.5	800	32	400
450	16	548	585	640	650	1080	20-31	30	800	32	410
500	10	582	620	670	700	1120	20-28	26.5	800	36	447
500	16	609	650	715	700	1120	20-34	31.5	800	36	467
600	10	682	725	780	800	1330	20-31	30	800	41	749
600	16	720	770	840	800	1330	20-37	36	800	41	776
700*	10	794	840	895	900	1450	24-31	32.5	-	-	973
700*	16	794	840	910	900	1450	24-37	39.5	-	-	988
800*	10	901	950	1015	1000	1640	24-34	35	-	-	1465
800*	16	901	950	1025	1000	1640	24-41	43	-	-	1484

*Con RIDUTTORE - *With GEAR BOX

CARATTERISTICHE PRINCIPALI - MAIN FEATURES	
NORMA PROGETTO:	EN 1171 EN 1074-1 ed EN 1074-2
SCARTAMENTO:	EN 558 Serie15
FLANGE:	EN 1092-2
COLLAUDI:	EN 12266-1
TEMP. ESERCIZIO:	Max. +70°C
DESIGN STANDARD:	EN 1171 EN 1074-1 and EN 1074-2
FACE TO FACE:	EN 558 Series15
FLANGES:	EN 1092-2
TESTS:	EN 12266-1
WORKING TEMP.:	Max. +70°C

	COMPONENTI - PARTS	MATERIALI - MATERIALS
1	CORPO BODY	EN-GJS 500-7 EN-GJS 500-7
2	RIVESTIMENTO CUNEO WEDGE	GOMMA EPDM (a richiesta NBR) EPDM COATED (NBR on request)
3	STRUTTURA CUNEO CORE	EN-GJS 500-7 EN-GJS 500-7
4	ASSE STEM	ACC.INOX AISI 420 (EN 1.4021) SS AISI 420 (EN 1.4021)
5	MADREVITE STEM NUT	BRONZO ALLUMINIO ALUMINIUM BRONZE
6	GUARNIZIONE GASKET	EPDM EPDM
7	CAPPELLO BONNET	EN-GJS 500-7 EN-GJS 500-7
8	VITE SCREW	ACCIAIO ZINCATO 8.8 GALVANIZED STEEL 8.8
9	RONDELLA WASHER	POM POM
10	BOCCOLA DI TENUTA SEAL BUSHING	POM POM
11	O-RING O-RING	NBR NBR
12	COPERCHIO COVER	EN-GJS 500-7 EN-GJS 500-7
13	PARAPOLVERE DUSTPROOF	NBR NBR
14	VOLANTINO HANDWHEEL	EN-GJS 500-7 EN-GJS 500-7

RIVESTIMENTO - COATING
Esterno/interno con polvere epossidica di colore blu RAL 5015 e spessore 250mm.
External/internal FBE coating process with epoxy resin powder of blue colour RAL 5015 and thickness of 250mm.