



PN 10 - Art. A022 TIS1

PN 16 - Art. A023 TIS1

SARACINESCA A CUNEO GOMMATO - CORPO OVALE PN10-PN16
SOFT SEATED GATE VALVE - LONG BODY PN10-PN16

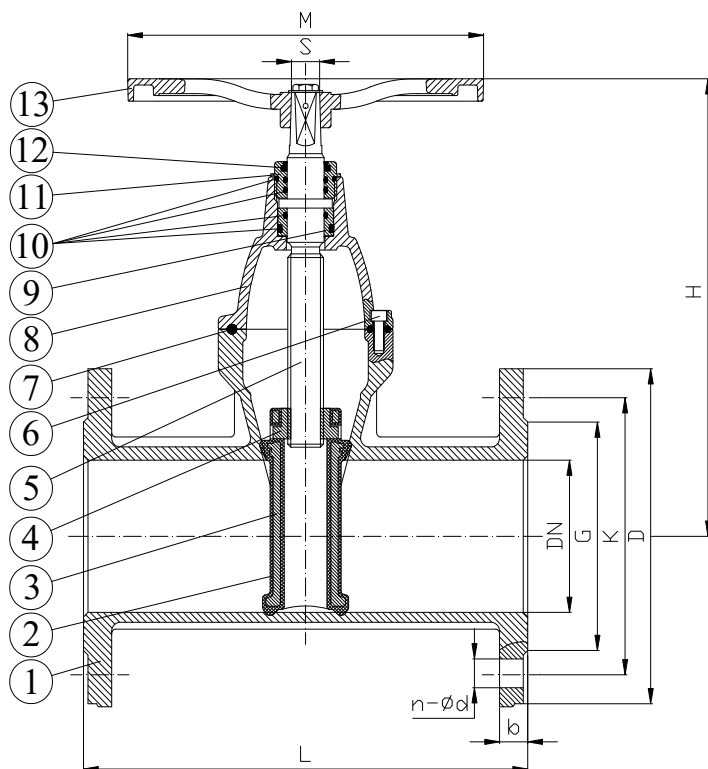


APPLICAZIONE:

Fornitura e distribuzione acqua potabile, trattamento acque reflue e sistemi fognari, settori industriali.

APPLICATION:

Drinkable water supply and distribution, waste water treatment and sewerage.



CARATTERISTICHE PRINCIPALI - MAIN FEATURES	
NORMA PROGETTO:	EN 1171 EN 1074-1 ed EN 1074-2
SCARTAMENTO:	EN 558 Serie15
FLANGE:	EN 1092-2
COLLAUDI:	EN 12266-1
TEMP. ESERCIZIO:	Max. +70°C
DESIGN STANDARD:	EN 1171 EN 1074-1 and EN 1074-2
FACE TO FACE:	EN 558 Series15
FLANGES:	EN 1092-2
TESTS:	EN 12266-1
WORKING TEMP.:	Max. +70°C

COMPONENTI - PARTS	MATERIALI - MATERIALS
1 CORPO BODY	EN-GJS 500-7 EN-GJS 500-7
2 RIVESTIMENTO CUNEO WEDGE	GOMMA EPDM (a richiesta NBR) EPDM COATED (NBR on request)
3 STRUTTURA CUNEO CORE	EN-GJS 500-7 EN-GJS 500-7
3b GUIDA GUIDE	NYLON NYLON
4 MADREVITE STEM NUT	BRONZO ALLUMINIO ALUMINIUM BRONZE
5 ASSE STEM	ACC.INOX AISI 420 (EN 1.4021) SS AISI 420 (EN 1.4021)
6 VITE SCREW	ACCIAIO ZINCATO 8.8 GALVANIZED STEEL 8.8
7 GUARNIZIONE GASKET	EPDM EPDM
8 CAPPELLO BONNET	EN-GJS 500-7 EN-GJS 500-7
9 BOCCOLA BUSHING	POM POM
10 O-RING O-RING	NBR NBR
11 BOCCOLA DI TENUTA PACKING GLAND	OTTONE BRASS
12 PARAPOLVERE DUSTPROOF	NBR NBR
13 VOLANTINO HANDWHEEL	ACCIAIO S235JR STEEL S235JR

DN	G	K		D		L	H	n-ød		b	M	S	W (kg)
		PN10	PN16	PN10	PN16			PN10	PN16				
40	84	110	110	150	150	240	205	4-19	4-19	19	200	14	9.5
50	99	125	125	165	165	250	205	4-19	4-19	19	200	14	10.5
65	118	145	145	185	185	270	225	4-19	4-19	19	200	17	13.5
80	132	160	160	200	200	280	250	8*-19	8-19	19	200	17	15.5
100	156	180	180	220	220	300	292	8-19	8-19	19	250	19	22
125	184	210	210	250	250	325	329	8-19	8-19	19	250	19	26
150	211	240	240	285	285	350	379	8-23	8-23	19	350	19	37
200	266	295	295	340	340	400	482	8-23	12-23	20	350	24	59
250	319	350	355	395	405	450	560	12-23	12-28	22	500	27	90
300	370	400	410	445	460	500	636	12-23	12-28	24.5	500	27	126

RIVESTIMENTO - COATING
Esterno/interno con polvere epossidica di colore blu RAL 5015 e spessore 250mm.
External/internal FBE coating process with epoxy resin powder of blue colour RAL 5015 and thickness of 250mm.

* Disponibile anche con 4 fori /*Available also with 4 holes